

Type KVII/HF

Quick-Closing Valve for Gaseous Media Electro-Pneumatic Operated

Edition: 05.18

Subject to change without notice

APPLICATION AREA

- > Gas firing systems on steam boilers
acc. to DIN EN12952/12953
- > Industrial thermoprocessing equipment acc. to
DIN EN 746
- > Pipe systems for fluids and gaseous media
for all industrial sectors

ADVANTAGE

- > Closing time < 1 sec
- > High safety level through zero leakage
- > Heavy duty design for high operating cycles
- > High performance valve design for long service
life



safe and reliable

Type KVII/HF

Quick-Closing Valve for Gaseous Media Electro-Pneumatic Operated



DN 2½"-12" ANSI 150 lbs

APPLICATION

- > Automatic operated emergency shutdown device
- > In gas pipes in front of burner
acc. to DIN EN12952/12953
- > Safety and control device for gas burner
- > Automatic shut-off valve in piping systems

TECHNICAL DATA

- > Single-seated straight-through globe valve
acc. to ANSI standard
- > Stem sealing acc. to TA-Luft,
stainless steel bellow with additional lip seal and
connection for tightness test
- > Exchangeable plug gasket
- > Maintenance-free guide bushing
- > Control element pressure-balanced to allow higher
pressure
- > Piston actuator with integrated closing spring

CERTIFICATES

EC-Type examination (Modul B)

acc. to directive 2014/68/EU

EC- Type examination certificate with product-identnumber

acc. to gas appliance regulation EU/2016/426

based on:

DIN EN 13611 / DIN EN 161 / DIN EN 16678

Certificate:

- > TA-Luft
DIN EN ISO 15848-1
VDI 2440
- > SIL2 / EN 61508
- > Fire-safe
DIN EN ISO 10497 / API 607

OPERATING DATA

Media:	> Gaseous fuels acc. to PED 2014/68/EU
	> Fuels acc. to G260; gas group 1., 2. and 3
	> Other gaseous media
Operating pressure:	Max. 16 bar g
Operating temperature:	-29 to 180 °C
Ambient temperature:	-29 to 80 °C
Control medium:	Compressed air at 4-8 bar g
Air quality:	acc. to DIN ISO 8573-1
Control voltage:	230 V, 50 Hz, 24 V DC
Power:	10.6 VA / 6.8 W
IP Protection Class:	IP 65
Mounting position:	no restriction
Mounting position:	Indoor/Outdoor

OPTION

- > Quick-closing valve with integrated control
characteristic for soft opening
- > Combination with electro-pneumatic positioner for
selective flow control

REMARKS

Acc. to DIN EN12952/12953 it is advised to install strainer
in front of shut off valve. (Kühme SF / SFY)

safe and reliable

Type KVII/HF

Quick-Closing Valve for Gaseous Media Electro-Pneumatic Operated

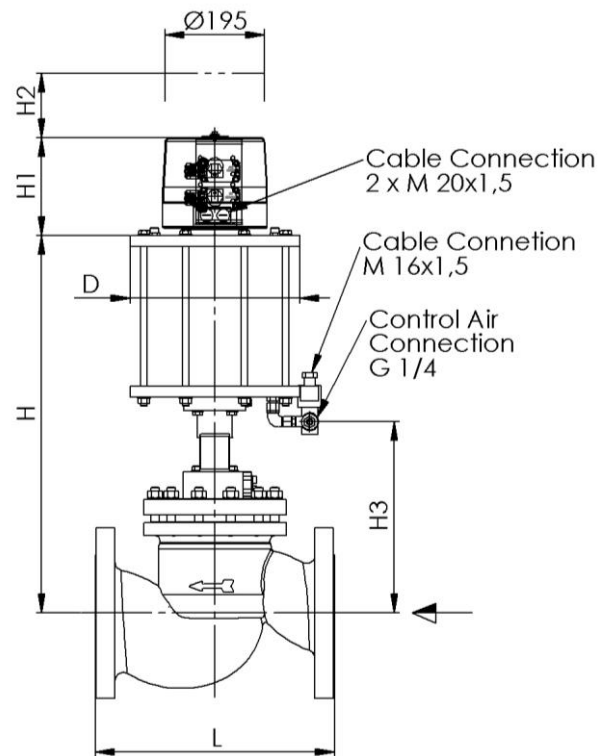


DN 2½"-12" ANSI 150 lbs

DIMENSIONS

ANSI	bar g	mm						kg
	Max. Operating pressure*	L	D	H	H ₁	H ₂	H ₃	Weight
2½	16	216	200	615	180	120	350	60
3	10	241	200	615	180	120	352	60
3	16	241	250	615	180	120	352	60
4	16	292	250	615	180	120	352	82
6	16	406	250	660	250	180	400	140
8	16	495	315	750	250	180	410	235
10	10	622	315	900	250	180	535	360
12	10	699	370	910	250	180	565	500

*Max. Functional pressure with compressed air 4 bar g;
Flange dimensions acc. to EN 1092-1/B1



PARAMETER

Nominal diameter DN	2½	3	4	6	8	10	12
Max. Service pressure (PS) in bar g	16	16	16	16	16	10	10
Rating ANSI Class	150	150	150	150	150	150	150
k _{vs} - value m ³ /h (max.)	72	108	170	376	655	1030	1460
Closing time	< 1 Second						

ACCESSORIES*

QTY	Accessories
1	Quick venting valve
1	3/2-way solenoid valve, directly actuated, pressure 0 to 8 bar
2	Limit switch as mechanical cam switch or proximity switch
1	Protection cover, transparent, for limit switch and optical position indication

MATERIALS*

Body:	A 216 WCB
Valve seat:	cladded with 1.4551
Plug gasket:	Elastomer
Bellow:	1.4541
Stem:	1.4021
Actuator:	Steel/Aluminium
Sealing parts:	Elastomer

* Other materials and accessories are available on request.